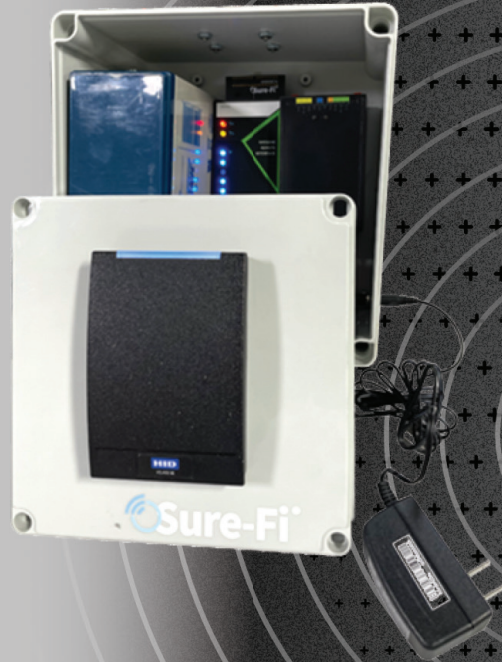


Portable Access Point Kit

The portable wireless access control kit provides the convenience of secure access control in scenarios where permanent installations are not feasible or desired. It is commonly used in temporary events, construction sites, pop-up stores, or any other environment that requires quick and flexible access management.



Benefits

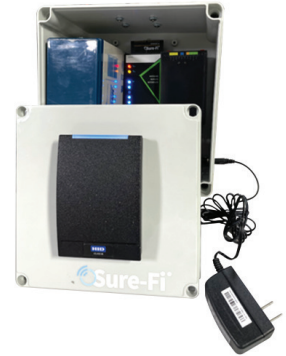
Up to 1 mile range through obstructions and 50+ miles line-of-sight with patented Bunker Busting Technology. Using 900 MHz, works inside metal enclosures Proprietary PCB Antenna design as well as FCC (USA) and IC (Canada) certified.

Features

- Perfect for temporary structures and short-term access control requirements
- No need to run wire or dig trenches to extend past the reach of your access control system
- Connect keypad (not included) to any existing Wiegand Access Control System
- Includes one Sure-Fi DS004 Wiegand Bridge system per kit
- Runs off Battery (not included) for All Day Use. Plug in to charge overnight

Portable Access Point Kit
SFK-PORTABLE-0150

Up to 1 mile range through obstructions and 50+ miles line-of-sight with patented Bunker Busting Technology. Using 900 MHz, works inside metal enclosures
Proprietary PCB Antenna design as well as FCC (USA) and IC (Canada) certified.



Specifications

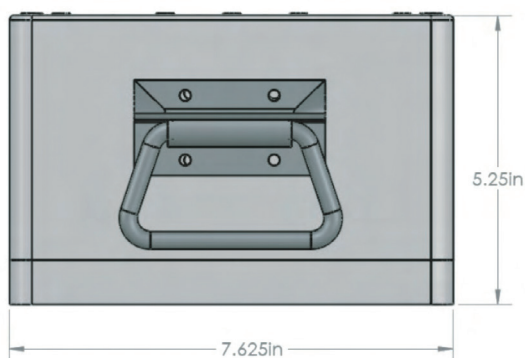
Enclosure

- 7.625" x 7.625" x 5.25"
- NEMA Type 3, 3R, 3S, 4, 4X, 6/6P, 12 & Marine Use IP68 enclosure

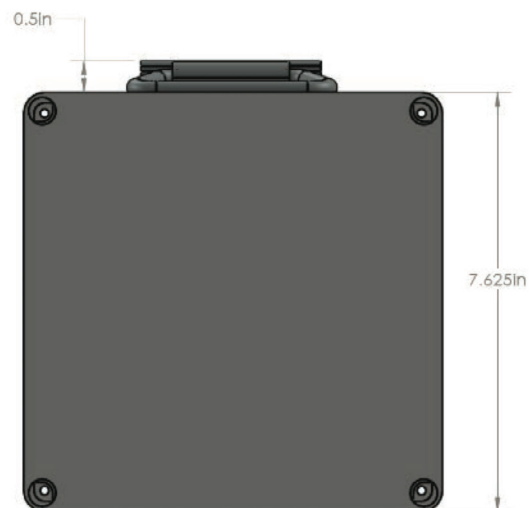
Power

- 12Vdc 5.0A / 24VDC 2.5A power supply
- Input Voltage 85~305Vac
- Max Power 60 Watts
- 12VDC / 24VDC battery chargers / UPS (batteries not included)
- Wiring block for quick connection to 12VDC and 24VDC devices

Side View



Top View



Lifetime Warranty

Wiegand Wireless Bridge

SFK-DS004-WIEGAND

The Wiegand System features cutting-edge technology for precise, dependable, and wireless integration with Wiegand access control setups.

Worldwide Certification:

This exclusive module is globally certified:
 – FCC – CE – UKCA – IC – ANATEL – UAE
 – BSI (India) – APAC – NOM – Israel – Singapore
 – Thailand – China – Columbia

Advanced Barrier Penetration:

Equipped with a specialized, patented technology, it ensures effective signal transmission even through substantial physical obstructions.

Remarkable Distance Capability:

Efficiently communicates over distances up to 1 mile amidst dense barriers and extends beyond 50 miles in clear, unobstructed conditions.

Specifications

Operating Voltage
12VDC

Operating Current (@12VDC)
0.05A (idle), 0.3A (transmit)

Operating Power (@12VDC)
3.6 Watt (peak)

Transmit Power
1 Watt (30dBm)

Frequency Band
US - CANADA - MEXICO
902.50 - 927.35 MHz

INDIA
865.1 - 866.9 MHz

UAE
863.2 - 869.8 MHz

EU
863.050 - 869.950 MHz

900 MHz
BRAZIL
902.0 - 907.4 MHz

915.2 - 927.6 MHz

AUS
915.400 - 927.600 MHz

JAPAN
920.600 - 923.400 MHz

KOREA
917.100 - 920.300 MHz

THAILAND
920.1 - 924.9 MHz

CHINA and SINGAPORE
920.625 - 924.375 MHz

COLOMBIA
915.10 - 927.35 MHz

Frequency Modulation
CHIRP Spread Spectrum

Channels
72 (Frequency Hopping)

Receiver Sensitivity
-133dBm with Rolling Encryption Keys

Link Budget
163dB

Encryption
AES128

Range
Up to 1 mile through obstructions and 50+ miles line-of-sight

Battery Backup Connection
12V Sealed Lead Acid (SLA) type only

Battery Charge Voltage
13.75V maximum at standby

Relays

Relays - Controller Interface:	Two Form C relays; 30VDC/30VAC, 1A, 60W/125VA
Relays - Remote Interface:	Two Form C solid state relays; 30VDC/30VAC, 1A Max combined current 2A, Inductive
Relays - Remote Interface (Wet):	10.42 - 12VDC special application, 1A Inductive (logic. Relays JP1/JP2 and VBUS: 2A combined)

Operating Temperature
-40 F to +185 F (-40 C to +85 C)

Storage Temperature
-67 F to +257 F (-55 C to +125 C)

Mounting Options
DIN (35mm x 7.5mm) or directly mount with two screws

Wiegand Controller Interface



4.2"

Wiegand Remote Interface



4.2"