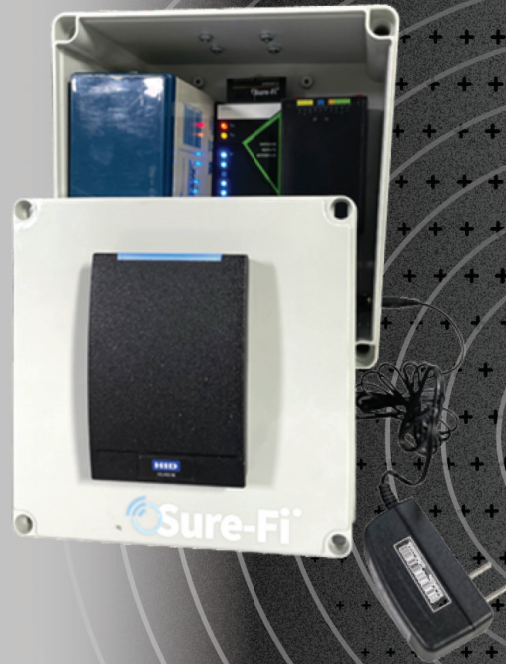


Portable Access Point Kit

The portable wireless access control kit provides the convenience of secure access control in scenarios where permanent installations are not feasible or desired. It is commonly used in temporary events, construction sites, pop-up stores, or any other environment that requires quick and flexible access management.



Benefits

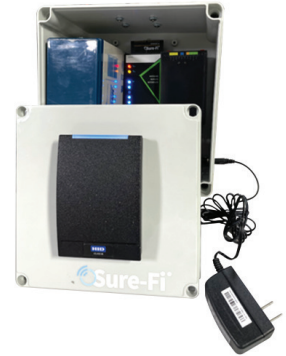
Up to 1 mile range through obstructions and 50+ miles line-of-sight with patented Bunker Busting Technology. Using 900 MHz, works inside metal enclosures Proprietary PCB Antenna design as well as FCC (USA) and IC (Canada) certified.

Features

- Perfect for temporary structures and short-term access control requirements
- No need to run wire or dig trenches to extend past the reach of your access control system
- Connect keypad (not included) to any existing Wiegand Access Control System
- Includes one Sure-Fi DS004 Wiegand Bridge system per kit
- Runs off Battery (not included) for All Day Use. Plug in to charge overnight

Portable Access Point Kit
SFK-PORTABLE-0150

Up to 1 mile range through obstructions and 50+ miles line-of-sight with patented Bunker Busting Technology. Using 900 MHz, works inside metal enclosures
Proprietary PCB Antenna design as well as FCC (USA) and IC (Canada) certified.



Specifications

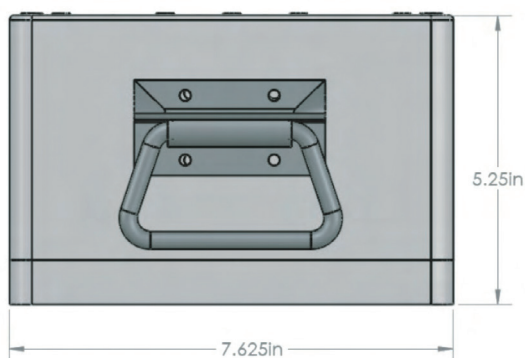
Enclosure

- 7.625" x 7.625" x 5.25"
- NEMA Type 3, 3R, 3S, 4, 4X, 6/6P, 12 & Marine Use IP68 enclosure

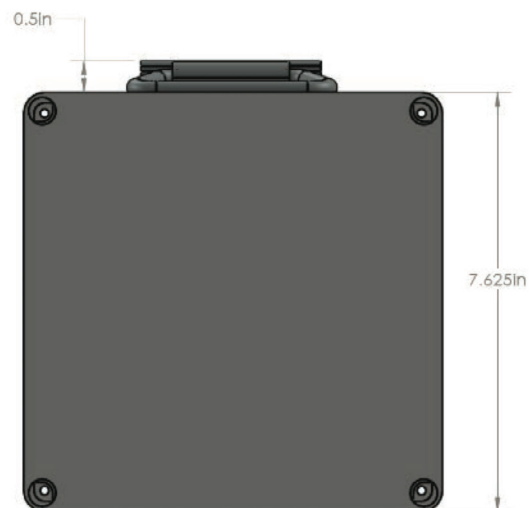
Power

- 12Vdc 5.0A / 24VDC 2.5A power supply
- Input Voltage 85~305Vac
- Max Power 60 Watts
- 12VDC / 24VDC battery chargers / UPS (batteries not included)
- Wiring block for quick connection to 12VDC and 24VDC devices

Side View



Top View



Lifetime Warranty