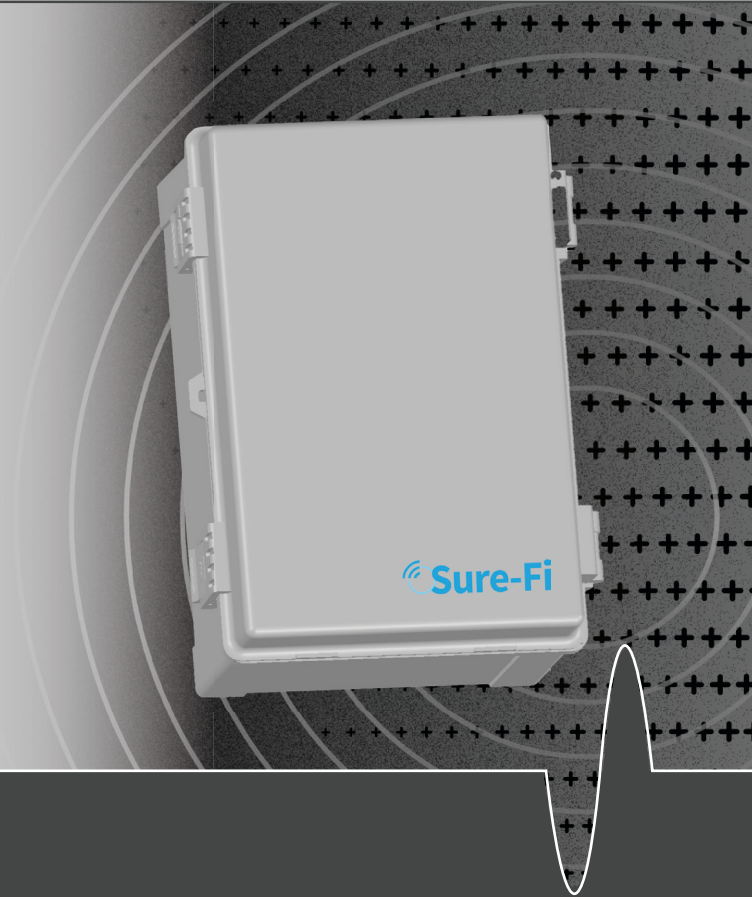


Compact 12V Door Kit - One Door

The Compact Door Kit represents a powerful, convenient solution for your Wiegand access control needs. Pre-wired and meticulously designed, this kit is your answer to seamless integration into existing systems, offering a fuss-free installation experience. It's more than just a wireless bridge – it's a smartly designed, space-efficient system that integrates high-tech access control with a secure backup power system.

One of the standout features of this kit is its compatibility with 12V DC battery chargers. This feature ensures continuous operation of your access control system, even in the event of a power outage. It eliminates the risk of being locked out due to power issues, providing the peace of mind that comes with knowing your access control system will always be functional.

In short, the Compact Door Kit is a comprehensive solution that combines advanced wireless technology, power backup capabilities, and ease of installation in one neatly packaged unit. It's the perfect choice for anyone seeking a dependable and uninterrupted access control system.



Benefits

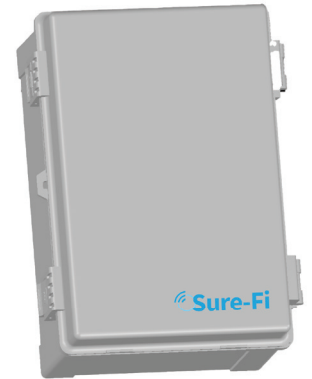
The compact design of the Sure-Fi Compact Door Kit means it fits neatly into any environment without being obtrusive. Yet within this small footprint, it packs in the technology to provide reliable, secure control over access points. The pre-wired enclosure speeds up and simplifies the installation process, making it easy to get your system up and running quickly.

Features

- Works for 12-24V AC/DC general purpose relay control
- 8 Solid State Relays (5 with shared common, 3 form A)
- Connect up to 8 Expansion Units to one Controller

Compact 12V Door Kit - One Door
SFK-CDOOR-0500

Up to 1 mile range through obstructions and 50+ miles line-of-sight with patented Bunker Busting Technology. Using 900 MHz, works inside metal enclosures
Proprietary PCB Antenna design as well as FCC (USA) and IC (Canada) certified.



Specifications

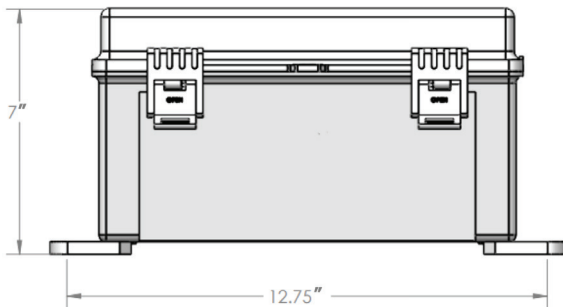
Enclosure

- 11"x7"x6.5"
- UL-50 / cUL Listed enclosure
- NEMA Type 3, 3R, 3S, 4, 4X, 6/6P, 12 & Marine Use IP68 enclosure

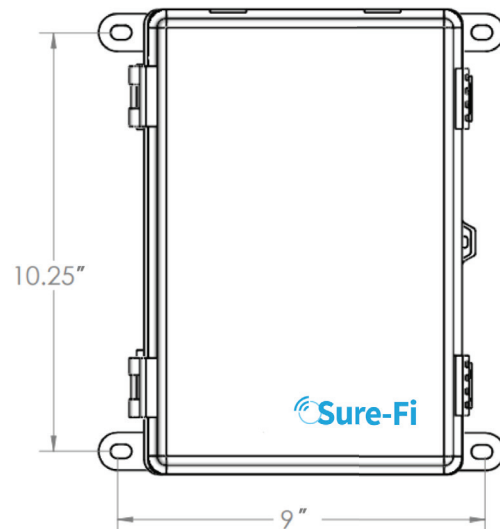
Power

- 12Vdc 5.0A power supply
- Input Voltage 85~305Vac
- Max Power 60 Watts
- 12Vdc battery charger/UPS (batteries not included)

Side View



Top View



Lifetime Warranty