

Access Pro Compact Kit

The Sure-Fi Access Pro Compact Kit represents a powerful, convenient solution for your OSDP and high-bit rate Wiegand access control needs. Pre-wired and meticulously designed, this kit is your answer to seamless integration into existing systems, offering a fuss-free installation experience. It's more than just a wireless bridge – it's a smartly designed, space-efficient system that integrates high-tech access control with a secure backup power system.



Benefits

The compact design of the Sure-Fi Access Pro Compact Kit means it fits neatly into any environment without being obtrusive. Yet within this small footprint, it packs in the technology to provide reliable, secure control over access points. The pre-wired enclosure speeds up and simplifies the installation process, making it easy to get your system up and running quickly.

Items Included

- Includes one Sure-Fi DS004 Wiegand Bridge system per kit
- 12Vdc 5.0A power supply
- UL-50 / cUL Listed enclosure
- 12Vdc battery charger/UPS

Access Pro Compact Kit (enclosure)
SFK-CDOOR-0511

Up to 1 mile range through obstructions and 50+ miles line-of-sight with patented Bunker Busting Technology. Using 900 MHz, works inside metal enclosures
Proprietary PCB Antenna design as well as FCC (USA) and IC (Canada) certified.



Specifications

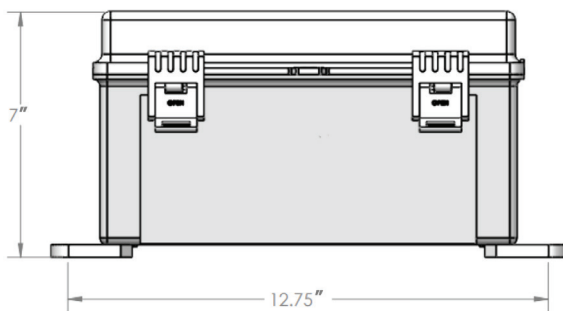
Enclosure

- 11"x7"x6.5"
- UL-50 / cUL Listed enclosure
- NEMA Type 3, 3R, 3S, 4, 4X, 6/6P, 12 & Marine Use IP68 enclosure

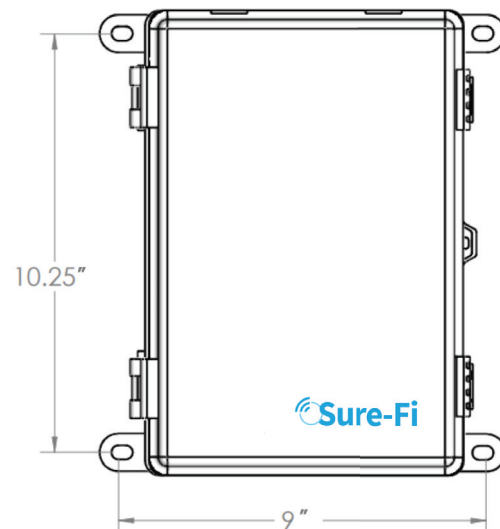
Power

- 12Vdc 5.0A power supply
- Input Voltage 85~305Vac
- Max Power 60 Watts
- 12Vdc battery charger/UPS (batteries not included)

Side View



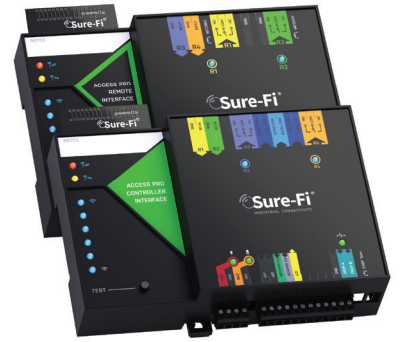
Top View



Lifetime Warranty

Access Pro Wireless Bridge SFK-DS011-ACCESS-PRO

Up to 1 mile range through obstructions and 50+ miles line-of-sight with patented Bunker Busting Technology. Using 900 MHz, works inside metal enclosures
Proprietary PCB Antenna design as well as FCC (USA) and IC (Canada) certified.



Specifications

Operating Voltage

12VDC (9VDC tp 15VDC)

Operating Current (@12VDC)

0.08A (idle), 0.3A (transmit)

Operating Power (@12VDC)

3.6 Watt (peak)

Transmit Power

1 Watt (30dBm)

Frequency Band

902 - 928MHz

Channels

72 (Frequency Hopping)

Receiver Sensitivity

-133dBm

Link Budget

163dB

Range

Up to 1 mile through obstructions and 50+ miles line-of-sight

Encryption

AES128

Battery Backup Connection

12V Sealed Lead Acid (SLA) type only

Battery Charge Voltage

13.75V maximum at standby

Relays

2A 250VAC / 2A 250VDC wet or dry NO, NC, COM (x2)

Operating Temperature

-40 F to +185 F (-40 C to +85 C)

Storage Temperature

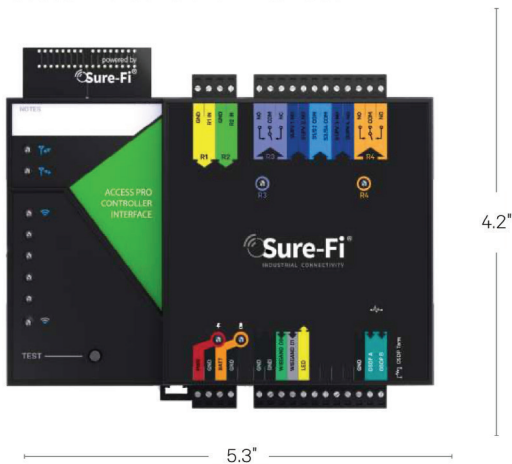
-67 F to +257 F (-55 C to +125 C)

Mounting Options

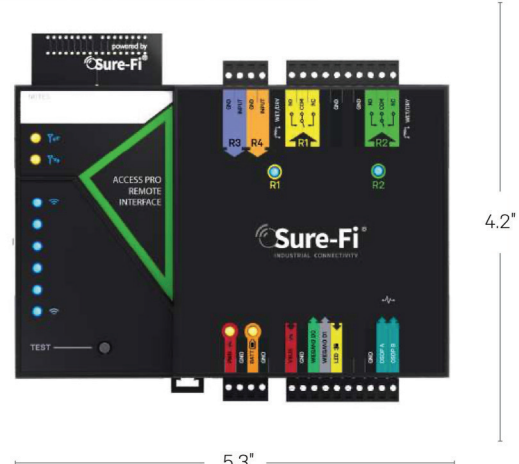
DIN (35mm x 7.5mm) or directly mount with two screws

Dimensions

Access Pro Controller Interface



Access Pro Remote Interface



Lifetime Warranty

Sure-Fi Inc | 116 E 800 S Smithfield, UT 84335

phone: +1-844-787-3340 | email: support@sure-fi.com | www.sure-fi.com